

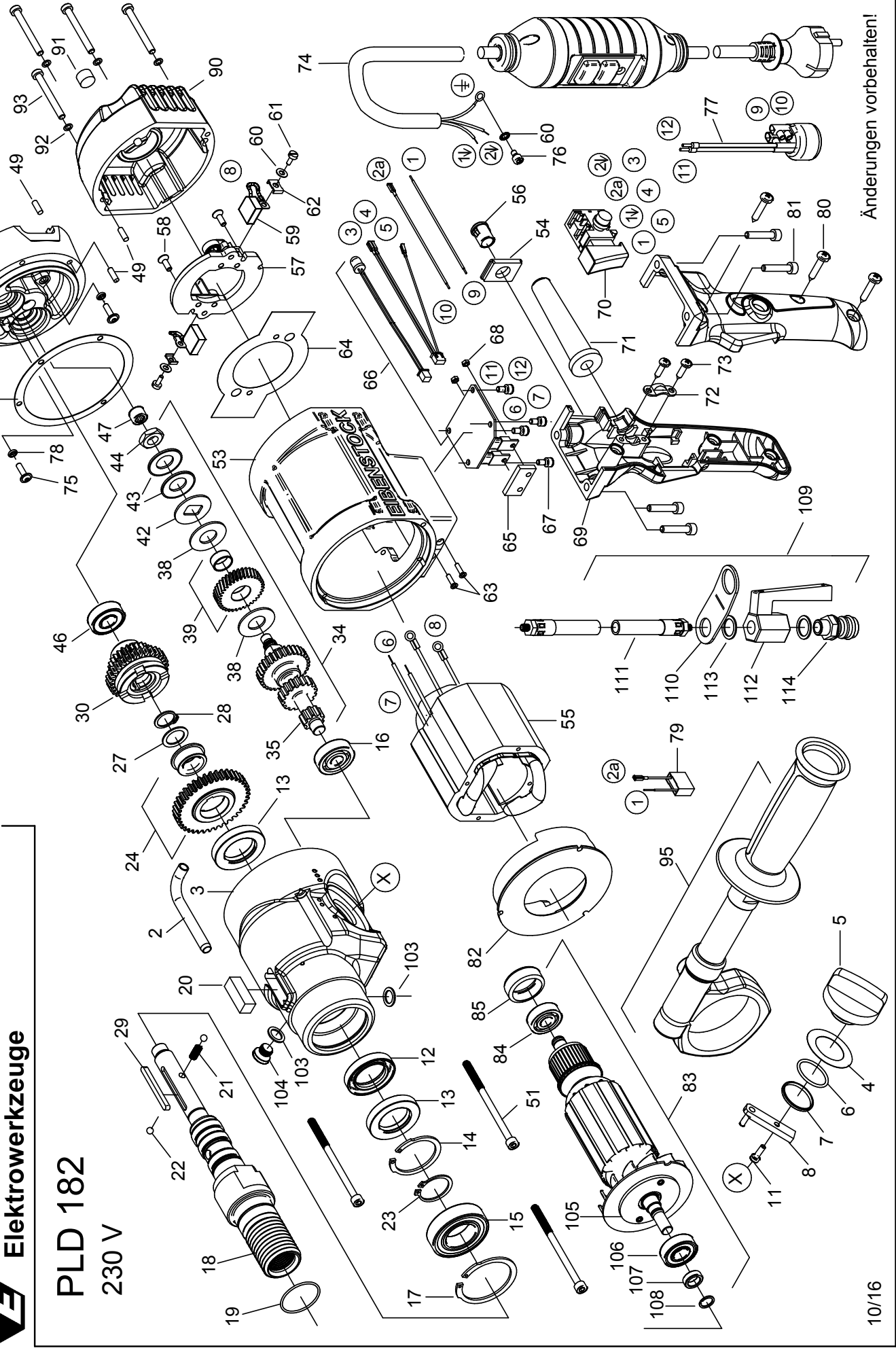


EIBENSTOCK
Elektrowerkzeuge

Ersatzteilliste

PLD 182

230 V



PLD 182 - 230 V

0343P000

| Nr. | Bezeichnung | Bestellnr. | Stk | Nr. | Bezeichnung | Bestellnr. | Stk |
|-----|---------------------------|------------|-----|-----|--|------------|-----|
| 1 | | | | 58 | Schraube M4x10 | 80201642 | 2 |
| 2 | Ölrohr | 7343P425 | 1 | 59 | Kohlebürste 6,4x16x18 | 80700076 | 2 |
| 3 | Getriebegehäuse | 7343P400 | 1 | 60 | Zahnscheibe A4,3 | 80200752 | 3 |
| 4 | Ausgleichsscheibe | 80200524 | 1 | 61 | Schraube M4x6 | 80201154 | 2 |
| 5 | Schaltknopf | 7B100723 | 1 | 62 | Kontaktscheibe | 85000038 | 2 |
| 6 | O-Ring 24x2 | 83000224 | 1 | 63 | Schraube M3x12 | 80201538 | 2 |
| 7 | Hülse | 7B401038 | 1 | 64 | Isolierfolie | 82000515 | 1 |
| 8 | Schalthebel, kpl. | 7B401036 | 1 | 65 | Kühlblech | 7334N282 | 1 |
| 9 | | | | 66 | Elektronik | 80601526 | 1 |
| 10 | | | | 67 | Schraube M4x8 | 80201550 | 4 |
| 11 | PT-Schraube 40x16 | 80201536 | 1 | 68 | Mutter M3 | 80201001 | 2 |
| 12 | Wellendichtring 25x40x7 | 83000226 | 1 | 69 | Griffpaar | 80900211 | 1 |
| 13 | Wellendichtring 25x42x7 | 83000219 | 2 | 70 | Einbauschalter | 80600501 | 1 |
| 14 | Sicherungsring JV 40 | 80201493 | 1 | 71 | Kabelauführungsmuffe | 83000004 | 1 |
| 15 | Rillenkugellager 6005 2RS | 80410061 | 1 | 72 | Zugentlastungsschelle | 85000020 | 1 |
| 16 | Rillenkugellager 6200 | 80410099 | 1 | 73 | Blechschrabe HC 4,2x16 | 80201271 | 2 |
| 17 | Sicherungsring JV 47 | 80201531 | 1 | 74 | Anschlußleitung mit PRCd, 3x1,5 ² | 73E33262 | 1 |
| 18 | Bohrspindel, kpl. | 7343P420 | 1 | 75 | Schraube M4x14 | 80201457 | 2 |
| 19 | O-Ring 28x1,5 | 83000191 | 1 | 76 | Schraube M4x6 | 80201218 | 1 |
| 20 | Horizontallibelle | 85000152 | 1 | 77 | Entstördrossel | 73T11175 | 1 |
| 21 | Druckfeder | 80200806 | 1 | 78 | O-Ring 3,68x1,78 | 83000019 | 2 |
| 22 | Kugel | 80410081 | 2 | 79 | Entstörkondensator | 73339305 | 1 |
| 23 | Sicherungsring AV 25 | 80201492 | 1 | 80 | Blechschrabe HC4,8x25 | 80201281 | 3 |
| 24 | Losrad, kpl. | 7B401104 | 1 | 81 | Schraube M5x25 | 80201127 | 4 |
| 25 | | | | 82 | Luftleitring | 7334N141 | 1 |
| 26 | | | | 83 | Läufer, kpl. | 73T22100 | 1 |
| 27 | Passscheibe 15/21x1 | 80201641 | 1 | 84 | Rillenkugellager 6000 2Z | 80410021 | 1 |
| 28 | Sicherungsring 15x1 | 80201322 | 1 | 85 | Lagerkappe | 83000031 | 1 |
| 29 | Passfeder A4x4x45 | 80201637 | 1 | 86 | | | |
| 30 | Schaltrad | 73T11480 | 1 | 87 | Wellendichtring 15x21x3 | 83000042 | 1 |
| 31 | | | | 88 | | | |
| 32 | | | | 89 | | | |
| 33 | | | | 90 | Kappe | 7343P240 | 1 |
| 34 | Kupplung, kpl. | 73T11493 | 1 | 91 | Libelle | 85003012 | 1 |
| 35 | Vorlegewelle | 73T11500 | 1 | 92 | Scheibe S5 | 80201620 | 4 |
| 36 | | | | 93 | Schraube M5x45 | 80201220 | 4 |
| 37 | | | | 94 | | | |
| 38 | Bremsscheibe | 85000259 | 2 | 95 | Stützgriff, kpl. | 7343P695 | 1 |
| 39 | Vorlegerad, kpl. | 73T2244U | 1 | 96 | | | |
| 40 | | | | 97 | | | |
| 41 | | | | 98 | | | |
| 42 | Druckscheibe | 85000260 | 1 | 99 | | | |
| 43 | Tellerfeder 28x14x1,5 | 80200716 | 2 | 100 | | | |
| 44 | Mutter M10x1 | 80201007 | 1 | 101 | | | |
| 45 | Getriebelegerschild | 7343P610 | 1 | 102 | | | |
| 46 | Rillenkugellager 6001 2Z | 80410031 | 1 | 103 | Dichtring 1/8" | 83000106 | 2 |
| 47 | Nadelhülse HK 0808 | 80420105 | 1 | 104 | Verschlußschraube 1/8" | 80201406 | 1 |
| 48 | Getriebedichtung | 82000510 | 1 | 105 | Lagerscheibe | 85000027 | 1 |
| 49 | Steckerstift 4x12 | 80200582 | 3 | 106 | Rillenkugellager 6001 2RS | 80410032 | 1 |
| 50 | | | | 107 | Dichthülse | 73334435 | 1 |
| 51 | Schraube M4x85 | 80201545 | 3 | 108 | Sprengring SW 10 | 80200742 | 1 |
| 52 | | | | 109 | Wasseranschluss, kpl. | 73RT4950 | 1 |
| 53 | Motorgehäuse | 7343P200 | 1 | 110 | Befestigungsblech | 73321270 | 1 |
| 54 | Abdeckung für Griff | 73345267 | 1 | 111 | Anschlussschlauch, kpl. | 83000109 | 1 |
| 55 | Polring, kpl. | 73T11150 | 1 | 112 | Kugelhahn | 83000100 | 1 |
| 56 | Halterung | 80601153 | 1 | 113 | Dichtring 1/4" | 83000107 | 2 |
| 57 | Bürstenbrücke | 80201198 | 1 | 114 | Anschlussstück Gardena Ms | 83000124 | 1 |

PLD 182 - 230 V

0343P000

| No. | Description | Order No. | Pcs | No. | Description | Order No. | Pcs |
|-----|-------------------------------|-----------|-----|-----|-------------------------------|-----------|-----|
| 1 | | | | 58 | screw AM4x10 | 80201642 | 2 |
| 2 | oil tube | 7343P425 | 1 | 59 | carbon brush 6,4x16x18 | 80700076 | 2 |
| 3 | gearbox housing | 7343P400 | 1 | 60 | tooth lock washer A4,3 | 80200752 | 3 |
| 4 | disc | 80200524 | 1 | 61 | screw M4x6 | 80201154 | 2 |
| 5 | switch button | 7B100723 | 1 | 62 | contact washer | 85000038 | 2 |
| 6 | o-ring 24x2 | 83000224 | 1 | 63 | screw M3x12 | 80201538 | 2 |
| 7 | bush | 7B401038 | 1 | 64 | insulating foil | 82000515 | 1 |
| 8 | gear lever complete | 7B401036 | 1 | 65 | cooling plate | 7334N282 | 1 |
| 9 | | | | 66 | electronic | 80601526 | 1 |
| 10 | | | | 67 | screw M4x8 | 80201550 | 4 |
| 11 | pt-screw 40x16 | 80201536 | 1 | 68 | nut M3 | 80201001 | 2 |
| 12 | shaft seal ring 25x40x7 | 83000226 | 1 | 69 | pair of handle halves | 80900211 | 1 |
| 13 | shaft seal ring 25x42x7 | 83000219 | 2 | 70 | switch | 80600501 | 1 |
| 14 | locking ring JV 40 | 80201493 | 1 | 71 | locking ring | 83000004 | 1 |
| 15 | grooved ball bearing 6005 2RS | 80410061 | 1 | 72 | wire locking flange | 85000020 | 1 |
| 16 | grooved ball bearing 6200 | 80410099 | 1 | 73 | self tapping screw HC 4,2x16 | 80201271 | 2 |
| 17 | locking ring JV 47 | 80201531 | 1 | 74 | connecting cable PRCD | 73E33262 | 1 |
| 18 | drill spindle | 7343P420 | 1 | 75 | lens head screw M4x14 | 80201457 | 2 |
| 19 | o-ring 28x1,5 | 83000191 | 1 | 76 | screw M4x6 | 80201218 | 1 |
| 20 | horizontal level | 85000152 | 1 | 77 | inductor | 73T11175 | 1 |
| 21 | compression spring | 80200806 | 1 | 78 | o-ring 3,68x1,78 NBR | 83000019 | 2 |
| 22 | ball Ø5 | 80410081 | 2 | 79 | anti parasite condenser | 73339305 | 1 |
| 23 | locking ring AV 25 | 80201492 | 1 | 80 | self tapping screw HC4,8x25 | 80201281 | 3 |
| 24 | loose wheel complete | 7B401104 | 1 | 81 | screw M5x25 | 80201127 | 4 |
| 25 | | | | 82 | air guiding ring | 7334N141 | 1 |
| 26 | | | | 83 | rotor complete | 73T22100 | 1 |
| 27 | fitting washer 15x21x1 | 80201641 | 1 | 84 | grooved ball bearing 6000 2Z | 80410021 | 1 |
| 28 | locking ring 15/1 | 80201322 | 1 | 85 | bearing cap | 83000031 | 1 |
| 29 | fitting key A4x4x45 | 80201637 | 1 | 86 | | | |
| 30 | switch-actuating wheel | 73T11480 | 1 | 87 | shaft seal ring 15x21x3 KEIV | 83000042 | 1 |
| 31 | | | | 88 | | | |
| 32 | | | | 89 | | | |
| 33 | | | | 90 | cap | 7343P240 | 1 |
| 34 | clutch complete | 73T11493 | 1 | 91 | level | 85003012 | 1 |
| 35 | countershaft | 73T11500 | 1 | 92 | lock washer S5 | 80201620 | 4 |
| 36 | | | | 93 | screw M5x45 | 80201220 | 4 |
| 37 | | | | 94 | | | |
| 38 | braking disk | 85000259 | 2 | 95 | side handle | 7343P695 | 1 |
| 39 | reduction wheel complete | 73T2244U | 1 | 96 | | | |
| 40 | | | | 97 | | | |
| 41 | | | | 98 | | | |
| 42 | pressure washer | 85000260 | 1 | 99 | | | |
| 43 | spring washer 28x14,2x1,5 | 80200716 | 2 | 100 | | | |
| 44 | hexagonal nut BM10/1 | 80201007 | 1 | 101 | | | |
| 45 | end shield of gearing | 7343P610 | 1 | 102 | | | |
| 46 | grooved ball bearing 6001 2Z | 80410031 | 1 | 103 | seal ring 1/8" | 83000106 | 2 |
| 47 | needle sleeve HK 0808 | 80420105 | 1 | 104 | cap screw 1/8" | 80201406 | 1 |
| 48 | gearbox seal | 82000510 | 1 | 105 | bearing cover | 85000027 | 1 |
| 49 | notched pin plug 4x12 | 80200582 | 3 | 106 | grooved ball bearing 6001 2RS | 80410032 | 1 |
| 50 | | | | 107 | sealing sleeve | 73334435 | 1 |
| 51 | screw M4x85 | 80201545 | 3 | 108 | circlip SW 10 | 80200742 | 1 |
| 52 | | | | 109 | water connector | 73RT4950 | 1 |
| 53 | motor housing | 7343P200 | 1 | 110 | mounting panel | 73321270 | 1 |
| 54 | cover | 73345267 | 1 | 111 | connecting hose | 83000109 | 1 |
| 55 | stator complete | 73T11150 | 1 | 112 | ball valve | 83000100 | 1 |
| 56 | fastener | 80601153 | 1 | 113 | seal ring 1/4" | 83000107 | 2 |
| 57 | brush holder bridge | 80201198 | 1 | 114 | connecting piece | 83000124 | 1 |